

A

B

C

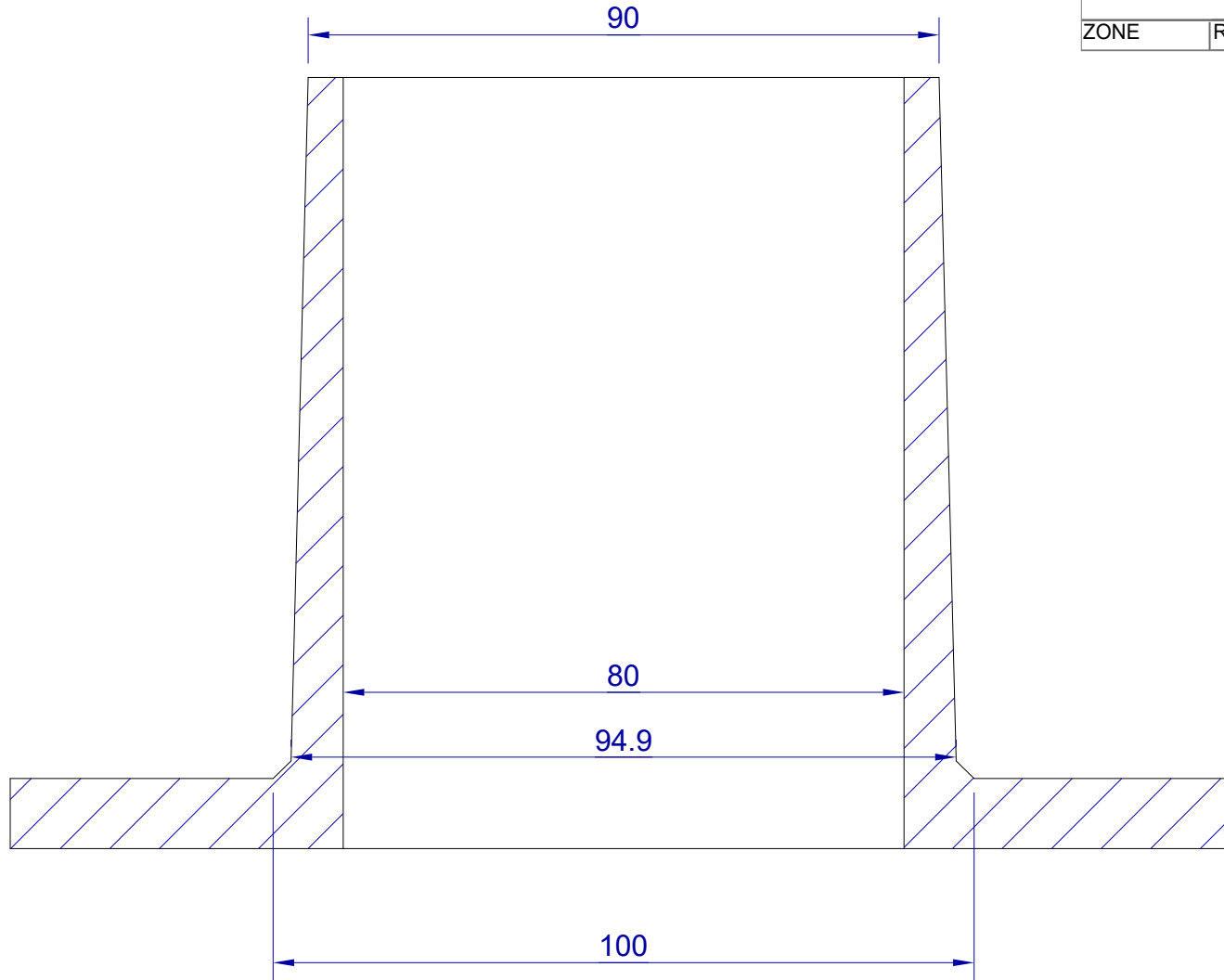
D

E

F

REVISION HISTORY

ZONE	REV	DESCRIPTION	DATE	APPROVED
------	-----	-------------	------	----------

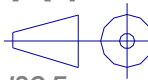
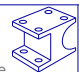



1

2

3

4

A4  ISO E	IronCAD 2D drawing 3D file available 	General Tolerances acc to:	File Name:			Last saved: 17/11/2020 12:24
	Scale: 1:1	ISO 2768-1 medium	Drawn by: ...	Checked by: ...	Approved by: ...	Created Date:
					Sheet No: 1 (1)	Rev. ...
					Doc. No:	