

A

B

C

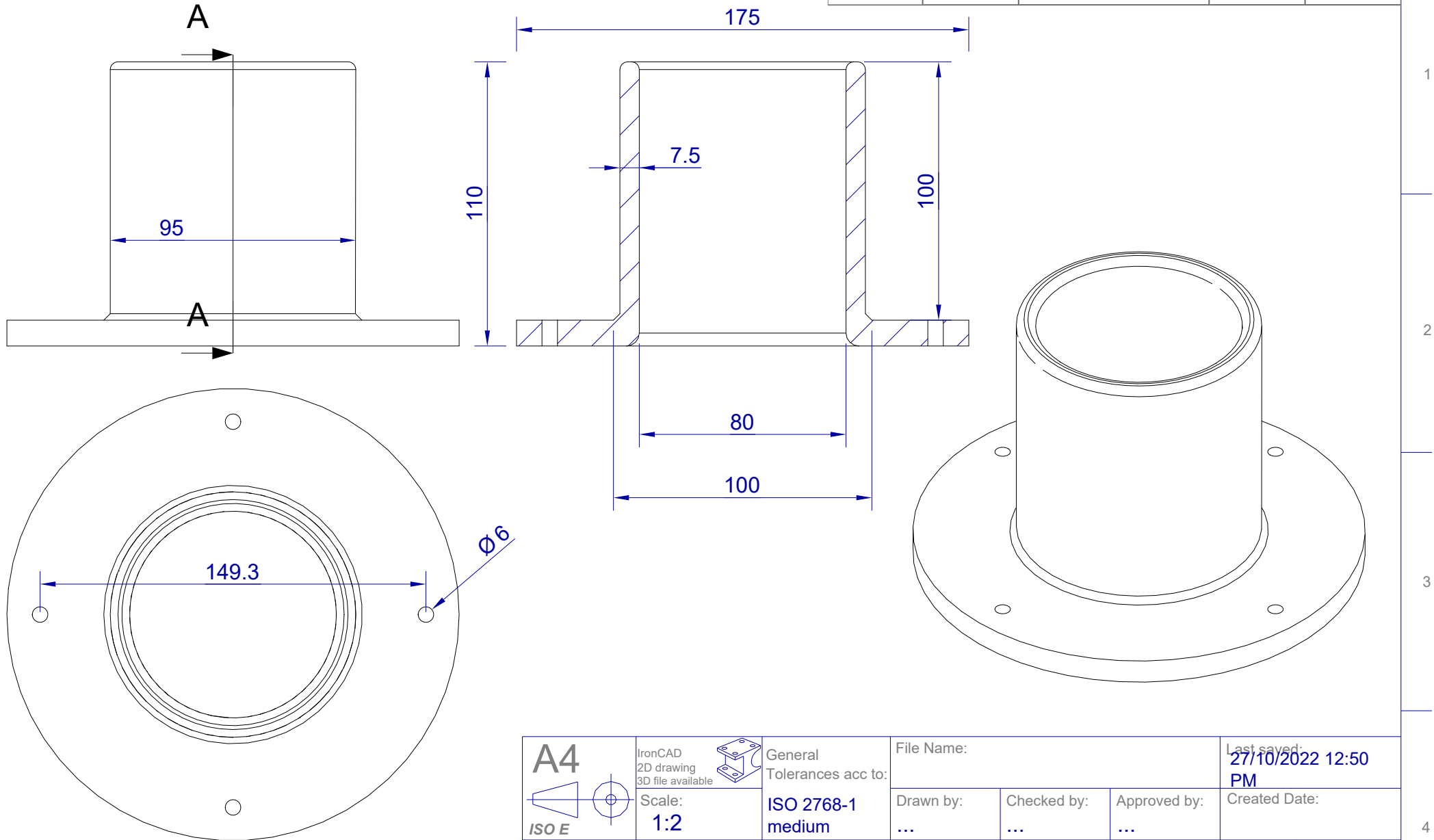
D

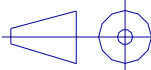


E

F

REVISION HISTORY

ZONE	REV	DESCRIPTION	DATE	APPROVED
------	-----	-------------	------	----------



A4  ISO E	IronCAD 2D drawing 3D file available 	General Tolerances acc to: ISO 2768-1 medium	File Name:			Last saved: 27/10/2022 12:50 PM	
			Drawn by:	Checked by:	Approved by:	Created Date:	
			WALL SLEEVE			Sheet No: Rev. 1 (1) ... Doc. No:	